



QUANTM[®]

i120 Industrial Pumps

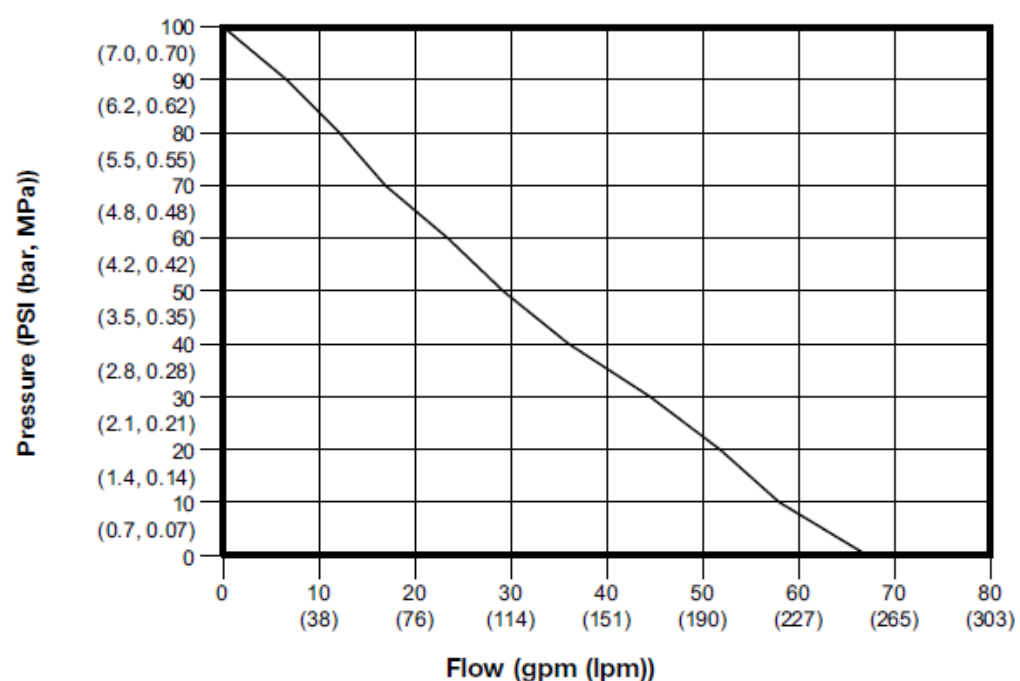
Technical Specifications

	US	Metric
Maximum Fluid Pressure	70 psi	4.83 bar, 0.48 Mpa
Maximum Fluid Flow	120 gpm	454 lpm
Maximum Particle Size	0.25 in	6.35 mm
Environmental Temp Rating	0 to 104 °F	-18 to 40 °C
Fluid Connection	AL, SST, CI (2.0 in NPT(F)) CP, PP, PV (ANSI 150 2 NPS, DIN PN16 050-2 in, JIS 10k 50)	AL, SST, CI (2.0 in BSPT(F)) CP, PP, PV (ANSI 150 2 NPS, DIN PN16 050-2 in, JIS 10k 50)
Wet Suction Lift	Dry (13.3 ft) Wet (13.3 ft)	Dry (4.0 m) Wet (4.0 m)
Approvals	UL, ATEX, C1D1 Group D	
Fluid Section Materials	Aluminum, Stainless Steel, Polypropylene, Conductive Polypropylene, PVDF, Hastelloy	
Seat Options	Aluminum, Santoprene, Geolast, Hytrel, Stainless Steel, Buna, FKM	
Check Ball Options	TPE, Santoprene, Geolast, Hytrel, PTFE, Buna, FKM, Stainless Steel, Acetal	
Diaphragm Options	2-piece PTFE, PTFE OM, Santoprene, Buna, FKM, Geolast, Hytrel	
Seals and Gasket Options	PTFE, Buna	

Electrical Ratings

	Rated Voltage	Phase	Hertz	Current	Plug Type	Approvals
F1 Motor (North America)	200-240 V	3	50/60 Hz	7.5 A	NEMA L15-20	UL, Ordinary Location
F2 motor, (World Wide)	200-240 V	1	50/60 Hz	15 A	NEMA L15-20	UL, Ordinary Location
F3 Motor (North America)	200-240 V	3	50/60 Hz	7.5 A	Flying Leads	UL, C1D1 Group D
F4 motor, (World Wide)	200-240 V	1	50/60 Hz	15 A	Flying Leads	UL, ATEX

Performance & Power

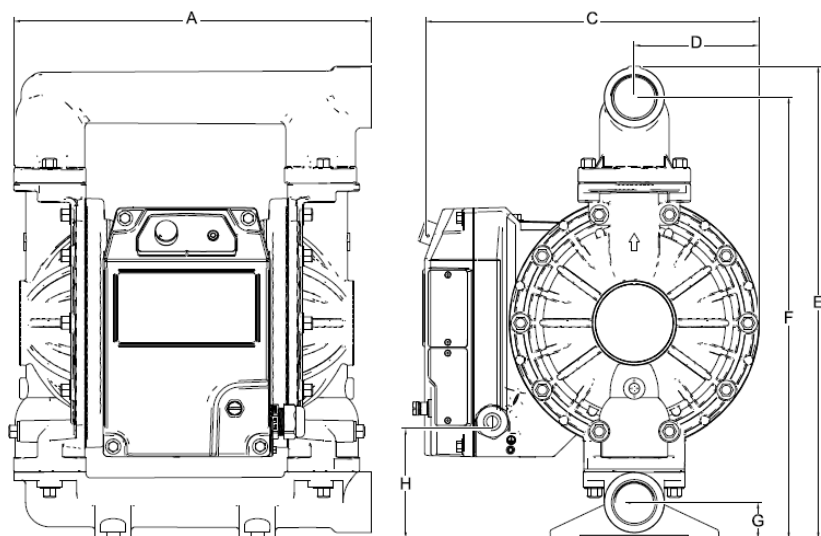




QUANTM®

i120 Industrial Pumps

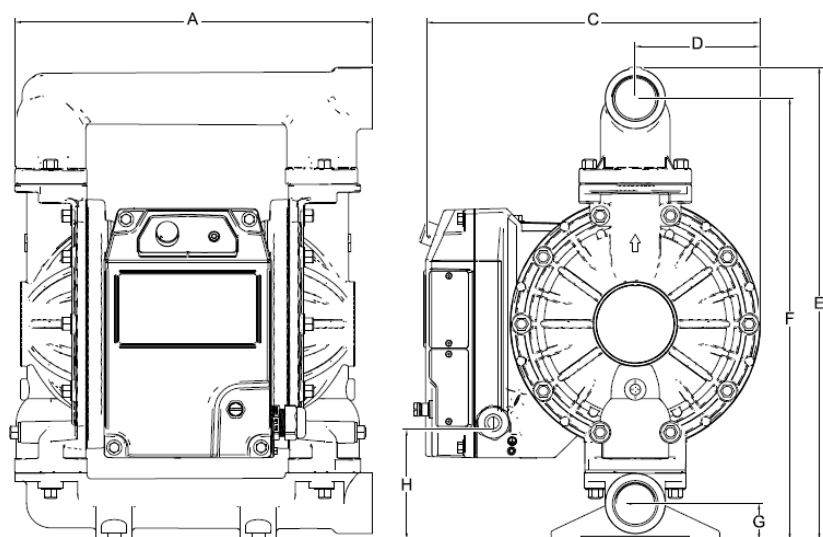
Aluminum Pumps



Dim Ref.	in.	cm
A	17.50	44.45
B	9.00	22.86
C	14.89	37.82
D	6.25	15.88
E	23.60	59.94
F	21.90	55.63
G	2.00	5.08
H	6.72	17.07
J	6.00	15.24
K	6.00	15.24

Weight		
	99 lb	44.9 kg

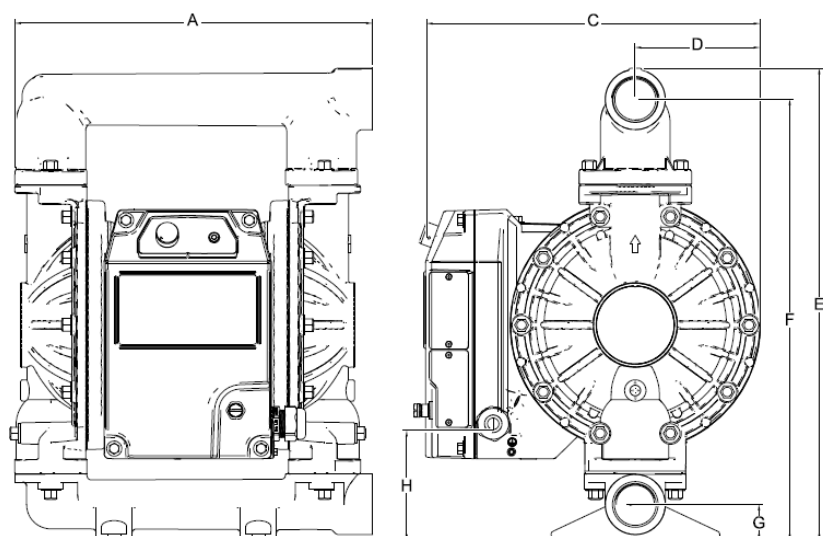
Stainless Steel, Cast Iron & Hastelloy



Dim Ref.	in.	cm
A	18.13	46.05
B	9.40	23.88
C	14.89	37.82
D	6.25	15.88
E	26.34	66.90
F	24.79	62.97
G	2.50	6.35
H	9.01	22.89
J	6.00	15.24
K	6.00	15.24

Weight		
SST	162 lb	73.5 kg
CI	165 lb	74.8 kg

Polypropylene, Conductive Polypropylene, & PVDF



Dim Ref.	in.	cm
A	19.70	50.04
B	11.00	27.94
C	14.89	37.82
D	6.25	15.88
E	25.70	65.28
F	22.70	57.66
G	3.50	8.89
H	7.53	19.13
J	6.00	15.24
K	6.00	15.24

Weight		
PP, CP	100 lb	45.4 kg
PV	117 lb	53 kg