

# QUANTM™ Pumps, Industrial Models

3A8946B

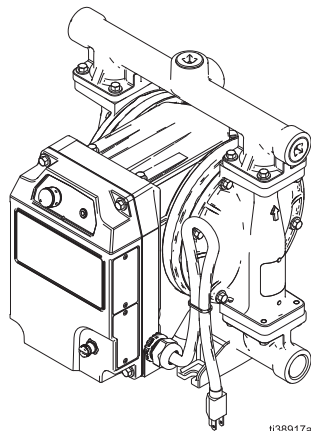
EN

*Electric-operated diaphragm (EODD) pumps with an integral electric drive for fluid transfer applications. Not for use with hygienic (sanitary) applications. Not for use with gasoline. For professional use only.*

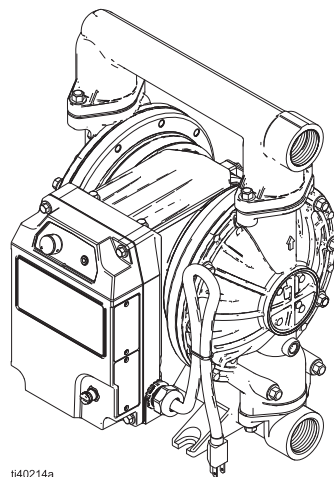


## Important Safety Instructions

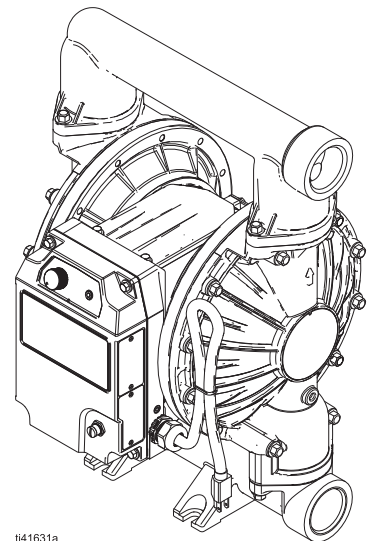
Read all warnings and instructions in this manual and related manuals before using the equipment. Be familiar with the controls and the proper usage of the equipment. Save these instructions.



ti38917a

**i30 (QTC) Model**

ti40214a

**i80 (QTD) Model**

ti41631a

**i120 (QTE) Model**

# Contents

<b>Related Manuals</b> .....	<b>2</b>	<b>Checks</b> .....	<b>12</b>
<b>Configuration Matrix</b> .....	<b>3</b>	<b>Manifold Seals</b> .....	<b>12</b>
<b>Parts</b> .....	<b>5</b>	<b>Fluid Plates</b> .....	<b>13</b>
i30 (QTC) Models .....	5	<b>Diaphragms</b> .....	<b>13</b>
i80 (QTD) Models .....	6	<b>Diaphragm Fasteners</b> .....	<b>13</b>
i120 (QTE) Models .....	7	<b>Labels</b> .....	<b>13</b>
Parts List .....	8	<b>Cart</b> .....	<b>13</b>
<b>Fluid Covers</b> .....	<b>9</b>	<b>Maintenance Bracket Stand</b> .....	<b>13</b>
<b>Manifolds</b> .....	<b>9</b>	<b>Fluid Repair Kits</b> .....	<b>14</b>
Outlet Manifolds .....	9	i30 (QTC) .....	14
Inlet Manifolds .....	10	i80 (QTD) .....	14
Manifold Plugs .....	10	i120 (QTE) .....	15
<b>Fasteners for Manifolds</b> .....	<b>10</b>	<b>Graco Standard Warranty</b> .....	<b>17</b>
<b>Fasteners for Fluid Covers</b> .....	<b>11</b>		
<b>Seats</b> .....	<b>12</b>		

## Related Manuals

<b>English Manual Number</b>	<b>Description</b>	<b>Reference</b>
3A7637	QUANTM Electric Motor, Repair-Parts	Motor Manual
3A8572	QUANTM Pumps, Instructions, Industrial Models	Pump Manual

# Configuration Matrix

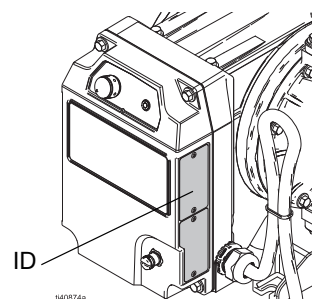
Record the model part number and configuration sequence found on your equipment identification plate (ID) to assist you when ordering replacement parts.

**Model Part Number:**

---

**Configuration Sequence:**

---



Sample Configuration Sequence: QTC-ACFC1ACACBNBNA100										
Q	T	C	AC	FC1	AC	AC	BN	BN	A1	00
Brand	Application	Model	Wetted Section Material	Motor	Seat Material	Check Material	Diaphragm Material	Manifold Seal Material	Connection	Options

**NOTE:** Some combinations are not possible. Check with your local distributor.

Brand		Application		Model		Wetted Section Material	
Q	QUANTM	T	Industrial (i)	C	30 (1 in. port)	AL	Aluminum
				D	80 (1-1/2 in. port)	CI	Cast Iron
				E	120 (2 in. port)	CP	Conductive Polypropylene
						PP	Polypropylene
						PV	PVDF
						SS	316 Stainless Steel

Motor - Industrial Models						
Drive		Coat	Input Voltage	Phase	Location	Cord/Cable Termination
FC1*	Aluminum Direct Drive	Black powder coat	200-240 V	3-Phase	Industrial, Ordinary Locations	Cord with plug
FC2	Aluminum Direct Drive	Black powder coat	200-240 V	Single-Phase	Industrial, Ordinary Locations	Cord with plug
FC3*	Aluminum Direct Drive	Black powder coat	200-240 V	3-Phase	Industrial, Ordinary Locations	Cord with plug
FC4	Aluminum Direct Drive	Black powder coat	200-240 V	Single-Phase	Industrial, Explosive Atmospheres	Cable with flying leads
FC5	Aluminum Direct Drive	Black powder coat	100-120 V	Single-Phase	Industrial, Ordinary Locations	Cord with plug
FC6	Aluminum Direct Drive	Black powder coat	100-120 V	Single-Phase	Industrial, Hazardous (Classified) Locations	Cable with flying leads

\*Not available with i30 (QTC).

Configuration Matrix

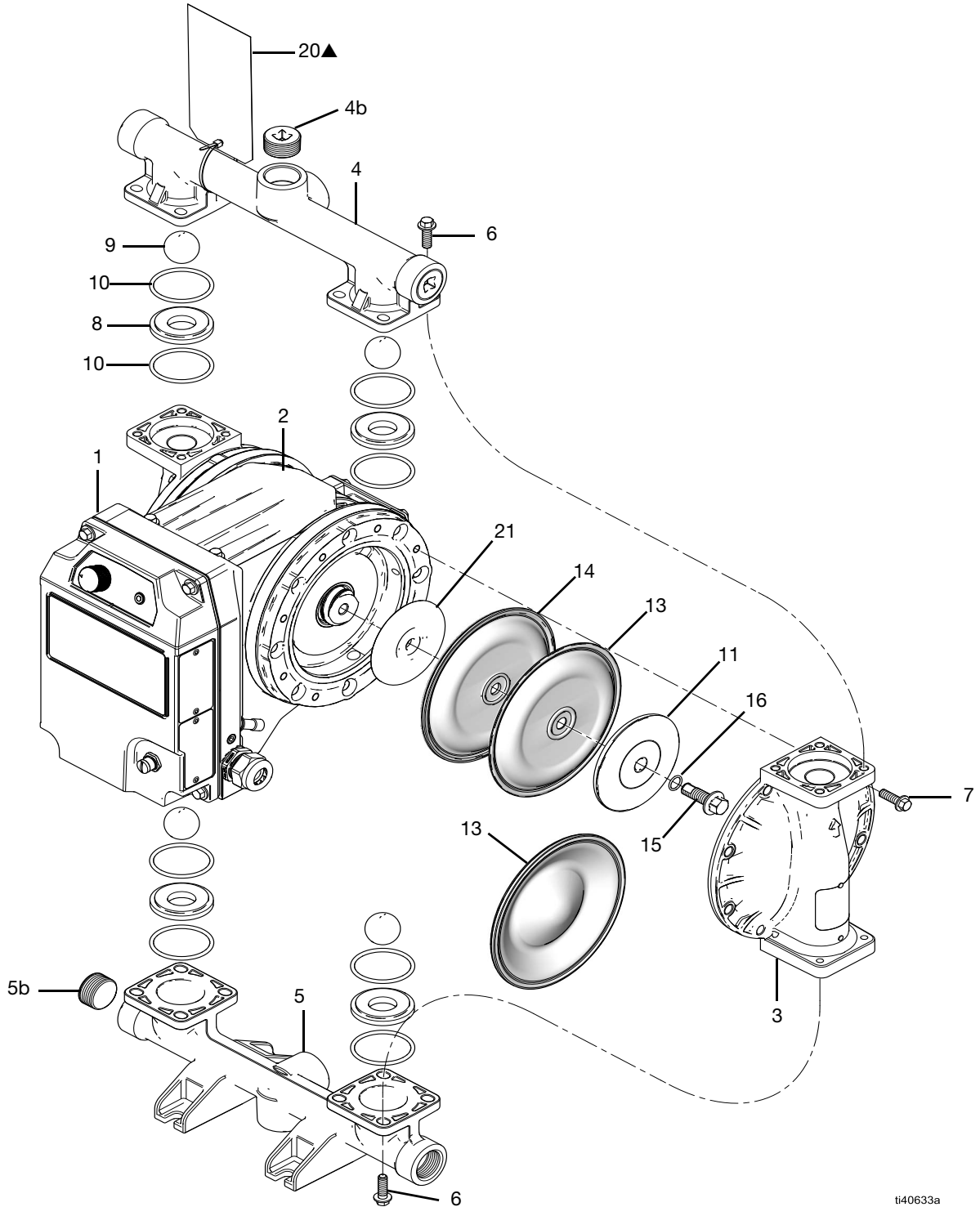
Seat Material		Check Material		Diaphragm Material		Manifold Seal Material	
<b>AC</b>	Acetal	<b>AC</b>	Acetal, ball	<b>BN</b>	Buna-N	--	None
<b>AL</b>	Aluminum	<b>BN</b>	Buna-N, ball	<b>CO</b>	Polychloroprene Overmold	<b>PT</b>	PTFE
<b>BN*</b>	Buna-N	<b>CR</b>	Polychloroprene, standard, ball	<b>FK</b>	Fluoroelastomer		
<b>FK*</b>	Fluoroelastomer	<b>CW</b>	Polychloroprene, weighted, ball	<b>GE</b>	Geolast		
<b>GE</b>	Geolast	<b>FK</b>	Fluoroelastomer, ball	<b>PO</b>	PTFE/EPDM Overmold		
<b>PP</b>	Polypropylene	<b>GE</b>	Geolast, ball	<b>PS</b>	PTFE/Santoprene, two-piece		
<b>PV</b>	PVDF	<b>PT</b>	PTFE, ball	<b>SP</b>	Santoprene		
<b>SA</b>	17-4PH Stainless Steel with PTFE seals	<b>SD</b>	440C Stainless Steel, ball	<b>TP</b>	TPE		
<b>SP</b>	Santoprene	<b>SP</b>	Santoprene, ball				
<b>SS</b>	316 Stainless Steel	<b>SS</b>	316 Stainless Steel, ball				
<b>TP*</b>	TPE	<b>TP</b>	TPE, ball				

\* Models with BN, FK, or TP seats do not use manifold seals.

Connection		Options	
<b>A1</b>	Aluminum, standard ports, NPT	<b>00</b>	Standard
<b>A2</b>	Aluminum, standard ports, BSP		
<b>C1</b>	Conductive Polypropylene, center flange		
<b>C2</b>	Conductive Polypropylene, end flange		
<b>F1</b>	PVDF, center flange		
<b>F2</b>	PVDF, end flange		
<b>I2</b>	Iron, standard ports, BSP		
<b>P1</b>	Polypropylene, center flange		
<b>P2</b>	Polypropylene, end flange		
<b>S1</b>	Stainless Steel, standard ports, NPT		
<b>S2</b>	Stainless Steel, standard ports, BSP		
<b>S51</b>	Stainless Steel, center flange, horizontal outlet		

# Parts

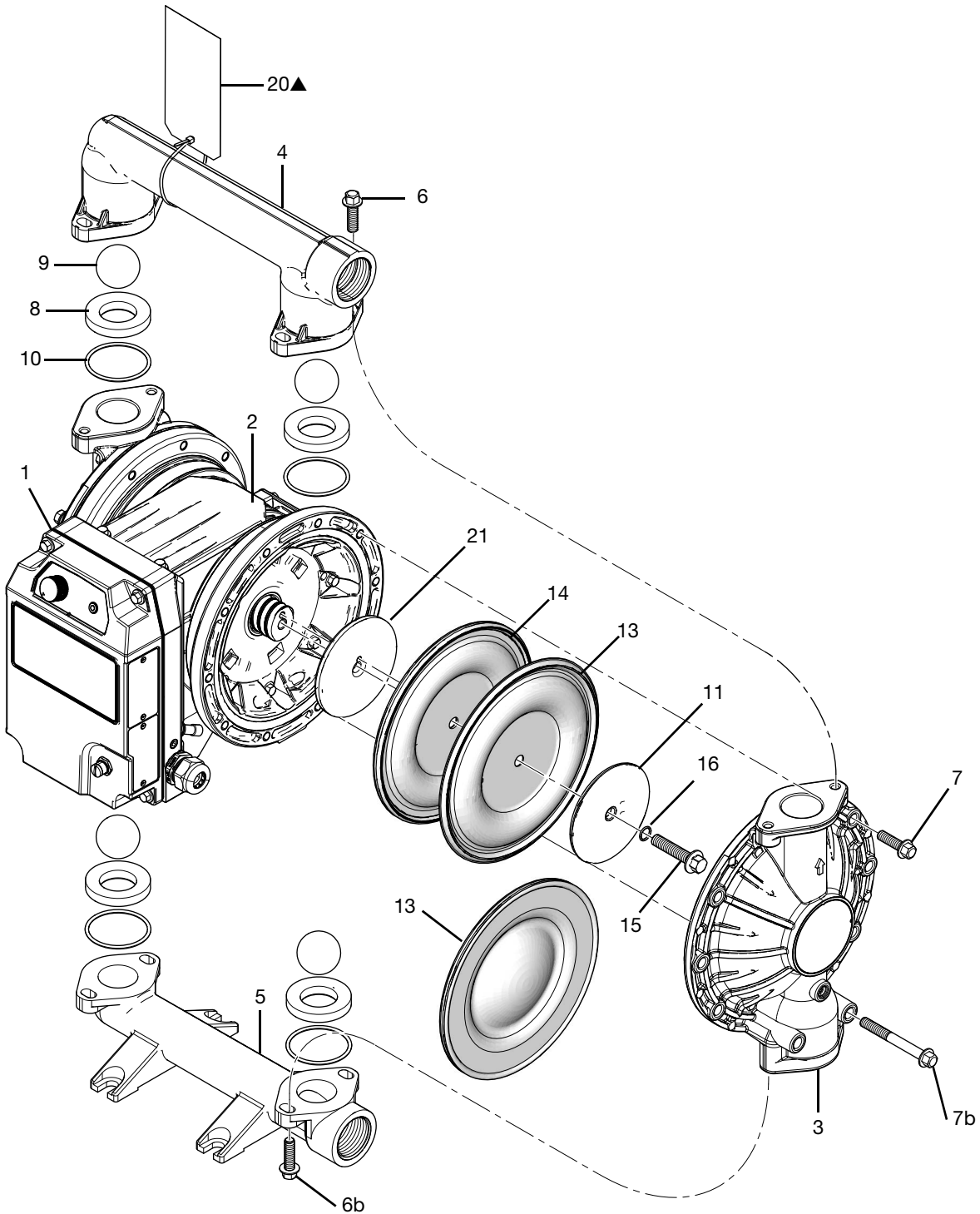
## i30 (QTC) Models



ti40633a

i30 (QTC) Aluminum model shown

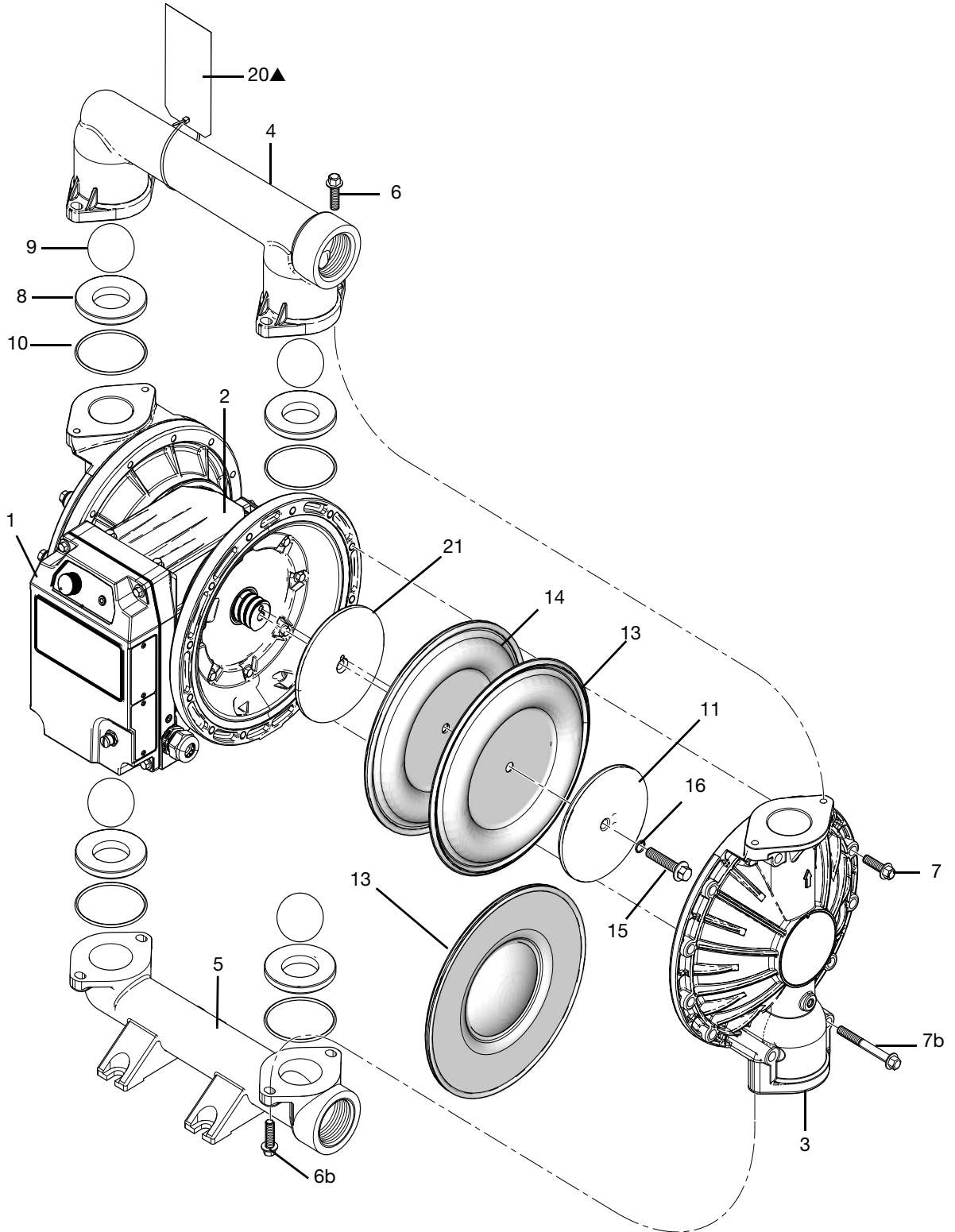
# i80 (QTD) Models



ti40636a

i80 (QTD) Aluminum model shown

# i120 (QTE) Models



t40637a

i120 (QTE) Aluminum model shown

## Parts List

Parts are sold individually unless otherwise indicated.

Ref.	Part	Description	Qty. in Equipment
1‡	---	MODULE, motor	1
2	25T916	MODULE, stator shield	1
3	---	COVER, fluid; see page 9	2
4	---	MANIFOLD, outlet; see page 9	1
4b†	---	PLUG, outlet manifold; see page 10	0 or 1 or 3
5	---	MANIFOLD, inlet; see page 9	1
5b†	---	PLUG, inlet manifold; see page 10	0 or 1 or 3
6	---	FASTENER, manifold; see page 10	–
6b†	---	FASTENER, inlet manifold; see page 10	–
7	---	FASTENER, fluid cover, short; see page 11	–
7b†	---	FASTENER, fluid cover, long; see page 11	–
8	---	SEAT, ball; see page 12	4
9	---	CHECK, ball; see page 12	4
10†	---	SEAL, packing, manifold; see page 12	0 or 4 or 8
11	---	PLATE, diaphragm, fluid side; see page 13	2
13	---	DIAPHRAGM; see page 13	2
14†	---	DIAPHRAGM, backer; see page 13	2
15	---	FASTENER; see page 13	2
16†	---	SEAL, packing; see page 13 or page 13	0 or 2
20▲	---	LABEL, warning, torque; see page 13	0 or 1
21		PLATE, diaphragm, air side	2
	16D326	for i30 (QTC)	
	19D142	for i80 (QTD)	
	19D143	for i120 (QTE)	

▲ Replacement safety labels, tags, and cards are available at no cost.

--- Not available separately or part number varies.

† Not included in all models.

‡ See your motor manual for specific motor models. See **Related Manuals**, page 2.

\* Part not included in model.



## Fluid Covers

Fluid Covers					
Ref.	Wetted Section Material		Part		
			i30 (QTC)	i80 (QTD)	i120 (QTE)
3	Plastic	CP	24C051♦	120966	120969
		PP	24C050♦	189739	189793
		PV	24C052♦	189741	189795
	Metal	AL	24B653♦	15A615	17B425
		CI	---	---	191541
		SS	24C061♦	194169	194279

See **Configuration Matrix**, page 3, for code descriptions.

♦ *Item is a kit.*

Kits include:

- 1 fluid cover (3)
- 4 seals (10)

## Manifolds

See **Configuration Matrix**, page 3, for code descriptions.

### Outlet Manifolds

Outlet Manifolds						
Ref.	Connection Material		Part			
			i30 (QTC)	i80 (QTD)	i120 (QTE)	
4	Plastic	C1	24C039♦	---	---	
		C2	24C042♦	---	120971	
		F1	24C040♦	---	---	
		F2	24C043♦	192075	189792	
		P1	24C038♦	---	---	
		P2	24C041♦	192074	189790	
		Metal	A1	24B649♦	15A616	15A613
			A2	24B650♦	15A658	15A614
	I1		---	---	191543	
	I2		---	---	192089	
	S1		24C057♦	194221	194281	
	S2		24C058♦	195575	195577	
	S51		25C302♦	25T948	25F009	

♦ *Item is a kit.*

**Kits include:**

- 1 outlet manifold (4)
- 1 outlet manifold plug (4b)

## Inlet Manifolds

Inlet Manifolds					
Ref.	Connection Material	Part	Part		
			i30 (QTC)	i80 (QTD)	i120 (QTE)
5	Plastic	<b>C1</b>	24C045♦	---	---
		<b>C2</b>	24C048♦	---	120970
		<b>F1</b>	24C046♦	---	---
		<b>F2</b>	24C049♦	192073	189789
		<b>P1</b>	24C044♦	---	---
		<b>P2</b>	24C047♦	192072	189787
	Metal	<b>A1</b>	24B651♦	189402	189302
		<b>A2</b>	24B652♦	192078	192086
		<b>I1</b>	---	---	191542
		<b>I2</b>	---	---	192088
		<b>S1</b>	24C059♦	194170	194280
		<b>S2</b>	24C060♦	195574	195576
		<b>S51</b>	25C301♦	25T950	25F007

♦ *Item is a kit.*

**Kits include:**

- 1 inlet manifold (5)
- 1 inlet manifold plug (5b)

## Manifold Plugs

Manifold Plugs			
Ref.	Connection Material	i30 (QTC)	
		Part	Part
4b, 5b	Metal	<b>A1</b>	24C617♦
		<b>A2</b>	24C618♦

♦ *Item is a kit.*

**Kits include:**

- 3 outlet manifold plugs (4b)
- 3 inlet manifold plugs (5b)

## Fasteners for Manifolds

See **Configuration Matrix**, page 3, for code descriptions.

Fasteners for Manifolds								
Ref.	Wetted Section Material	i30 (QTC)		i80 (QTD)		i120 (QTE)		
		Part	Qty. in Equipment	Part	Qty. in Equipment	Part	Qty. in Equipment	
6	Plastic	<b>PP</b>	24C056♦	16	112560	8	112560	8
		<b>CP</b>	24C056♦	16	---	0	112560	8
		<b>PV</b>	24C056♦	16	112510	8	112560	8
	Metal	<b>AL</b>	24B645♦	16	115644	4	115644	8
		<b>CI</b>	---	0	---	0	112416	8
		<b>SS</b>	24C064♦	16	112416	8	---	0

Fasteners for Manifolds								
Ref.	Wetted Section Material		i30 (QTC)		i80 (QTD)		i120 (QTE)	
			Part	Qty. in Equipment	Part	Qty. in Equipment	Part	Qty. in Equipment
6b	Plastic	PP	---	0	112559	8	112559	8
		CP	---	0	---	0	112559	8
		PV	---	0	112559	8	112559	8
	Metal	AL	---	0	---	0	---	0
		CI	---	0	---	0	---	0
		SS	---	0	---	0	---	0

◆ Item is a kit.

**Kits include:**

- 8 fasteners (6)

## Fasteners for Fluid Covers

See **Configuration Matrix**, page 3, for code descriptions.

Fasteners for Fluid Covers								
Ref.	Wetted Section Material		i30 (QTC)		i80 (QTD)		i120 (QTE)	
			Part	Qty. in Equipment	Part	Qty. in Equipment	Part	Qty. in Equipment
7	Plastic	PP	24C055◆	16	112368	12	114181	8
		CP	24C055◆	16	---	0	114181	8
		PV	24C055◆	16	112368	12	114181	8
	Metal	AL	24B645◆	16	115644	16	115644	16
		CI	---	0	---	0	112416	16
		SS	24C063◆	16	112416	16	112416	16
7b	Plastic	PP	---	0	114118	8	---	0
		CP	---	0	---	0	---	0
		PV	---	0	114118	8	---	0
	Metal	AL	---	0	115644	4	115644	8
		CI	---	0	---	0	112543	8
		SS	---	0	112417	4	112417	8

◆ Item is a kit.

**Kits include:**

- 8 fasteners (7)

## Seats

See **Configuration Matrix**, page 3, for code descriptions.

Seats					
Ref.	Seat Material		Part		
			i30 (QTC)	i80 (QTD)	i120 (QTE)
8	Plastic	<b>AC</b>	24B630♦	---	---
		<b>BN</b>	24B632♦	D0B700♦	D0F700♦
		<b>FK</b>	24B638♦	D0B800♦	D0F800♦
		<b>GE</b>	24B633♦	D0BG00♦	D0FG00♦
		<b>PP</b>	24B635♦	D0B900♦	D0F900♦
		<b>PV</b>	24C721♦	D0BA00♦	D0GA00♦
		<b>SP</b>	24B636♦	D0B600♦	D0F600♦
		<b>TP</b>	24B634♦	D0B500♦	D0F500♦
		Metal	<b>AL</b>	24B631♦	---
	<b>SA</b>		---	D0B400♦	D0F400♦
	<b>SS</b>		25C818♦	D0BB00♦	D0F300♦

♦ *Item is a kit.*

**Kits include:**

- 4 seats (8)

## Checks

See **Configuration Matrix**, page 3, for code descriptions.

Checks					
Ref.	Check Material		Part		
			i30 (QTC)	i80 (QTD)	i120 (QTE)
9	Plastic	<b>AC</b>	D07020♦	D0B020♦	D0F020♦
		<b>BN</b>	D07070♦	D0B070♦	D0F070♦
		<b>CR</b>	24B643♦	---	---
		<b>FK</b>	D07080♦	D0B080♦	D0F080♦
		<b>GE</b>	D070G0♦	D0B0G0♦	D0F0G0♦
		<b>PT</b>	D07010♦	D0B010♦	D0F010♦
		<b>SP</b>	D07060♦	D0B060♦	D0F060♦
		<b>TP</b>	D07050♦	D0B050♦	D0F050♦
		Metal	<b>SD</b>	D07040♦	D0B040♦
	<b>SS</b>		D07030♦	---	---
	Plastic and Metal	<b>CW</b>	25A299♦	26B431♦	D0F0H0♦

♦ *Item is a kit.*

**Kits include:**

- 4 checks (9)

## Manifold Seals

See **Configuration Matrix**, page 3, for code descriptions.

Manifold Seals				
Ref.	Manifold Seal Material	Part		
		i30 (QTC)	i80 (QTD)	i120 (QTE)
10	<b>PT</b>	24B655♦	26B253♦	26B352♦

♦ *Item is a kit.*

**Kits include:**

- 4 or 8 seals (10), as applicable

## Fluid Plates

See **Configuration Matrix**, page 3, for code descriptions.

Fluid Plates					
Ref.	Wetted Section Material		i30 (QTC)	i80 (QTD)	i120 (QTE)
			Part	Part	Part
11	Plastic	CP	24C036♦	189742	25B444♦
		PP	24C036♦	189742	25B444♦
		PV	24C037♦	189744	25B450♦
	Metal	AL	24C035♦	262026	25B445♦
		CI	---	---	25B445♦
		SS	24C062♦	189309	25B445♦

♦ *Item is a kit.*

### Kits include:

- 1 fluid plate (11)
- 1 seal (16)
- 1 fastener (15)
- 1 air side plate (*For packing only. Discard.*)

## Diaphragms

See **Configuration Matrix**, page 3, for code descriptions.

Diaphragms				
Ref.	Diaphragm Material	Part		
		i30 (QTC)	i80 (QTD)	i120 (QTE)
13	BN	24B622♦	25V200♦	25V207♦
	CO	24B625♦	---	---
	FK	24B629♦	25V201♦	25V208♦
	GE	24B623♦	25V204♦	25V210♦
	PO	24B626♦	25V205♦	25V214♦
	PS	24F926♦	24F398♦	24F399♦
	SP	24B628♦	25V203♦	25V209♦
	TP	24B624♦	25V202♦	25V213♦

♦ *Item is a kit.*

### Kits include:

- 2 diaphragms (13)
- 2 diaphragm backers (14, if applicable)
- 2 seals (16, if applicable)
- 1 packet of anaerobic adhesive

## Diaphragm Fasteners

Diaphragm Fasteners				
Ref.	Diaphragm Material	Part		
		i30 (QTC)	i80 (QTD)	i120 (QTE)
15	Plastic	---	---	18H019
	Metal	24C099♦	189410	189410

♦ *Item is a kit.*

### Kits include:

- 1 fastener (15)
- 1 seal (16)

## Labels

Labels				
Ref.	Connection Material	Part		
		i30 (QTC)	i80 (QTD)	i120 (QTE)
20	Plastic	16A023	15H976	15J194
	Metal	15Y997	15H975	15J300

## Cart

Carts		
Ref.	Part	Description
22	25U205	CART, 2-wheel, for i30 (QTC), i80 (QTD), i120 (QTE)

## Maintenance Bracket Stand

Maintenance Bracket Stand		
Ref.	Part	Description
23	18F978	STAND, Maintenance Bracket

# Fluid Repair Kits

See **Configuration Matrix** on page 3 for definitions of the seat, check, diaphragm, and seals materials.

As applicable, all Fluid Repair Kits include:

- 4 seats
- 4-8 manifold gaskets
- 4 checks
- 2 diaphragms
- 2 diaphragm backers
- 2 diaphragm bolts
- 2 diaphragm bolt O-rings
- 1 adhesive

## i30 (QTC)

i30 (QTC)	
Part	Seat, Check, Diaphragm, Seals
25V259	TP,AC,TP,--
25V260	GE,GE,GE,PT
25V261	AC,PT,PS,PT
25V262	SS,PT,PS,PT
25V263	SS,SS,PS,PT
25V264	BN,BN,BN,--
25V265	PP,PT,PS,PT
25V266	SP,SP,SP,PT
25V267	SS,PT,PO,PT
25V268	FK,FK,FK,--
25V269	SS,SS,SP,PT
25V270	TP,TP,TP,--
25V271	SS,SS,PO,PT
25V272	SP,PT,SP,PT
25V273	SS,GE,GE,PT
25V274	PP,BN,BN,PT
25V275	PP,SP,SP,PT
25V276	AL,BN,BN,PT
25V277	AC,BN,BN,PT
25V278	SS,PT,BN,PT
25V279	SS,BN,BN,PT
25V280	SS,SS,FK,PT
25V281	PP,PT,PO,PT

i30 (QTC)	
Part	Seat, Check, Diaphragm, Seals
25V282	AC,AC,PS,PT
25V283	SS,FK,FK,PT
25V284	SS,SP,SP,PT
25V285	GE,CR,CO,PT
25V286	SS,PT,TP,PT
25V287	GE,GE,SP,PT
25V288	TP,BN,TP,--
25V289	AC,PT,PO,PT
25V290	TP,SS,TP,--
25V291	PP,AC,BN,PT
25V292	SS,SS,GE,PT
25V294	AC,AC,PO,PT
25V295	AC,SP,SP,PT
25V296	TP,PT,TP,--
25V297	TP,PT,PS,--
25V298	AC,AC,BN,PT
25V299	TP,PT,PO,--

## i80 (QTD)

i80 (QTD)	
Part	Seat, Check, Diaphragm, Seals
25V300	TP,AC,TP,--
25V301	GE,GE,GE,PT
25V302	SS,PT,PS,PT
25V303	SP,SP,SP,PT
25V304	BN,BN,BN,--
25V305	SS,AC,PS,PT
25V306	PP,PT,PS,PT
25V307	FK,FK,FK,--
25V308	SS,SD,PS,PT
25V309	SP,PT,SP,PT
25V310	TP,TP,TP,--

<b>i80 (QTD)</b>	
<b>Part</b>	<b>Seat, Check, Diaphragm, Seals</b>
25V311	GE,GE,SP,PT
25V312	SS,SP,SP,PT
25V313	PP,TP,TP,PT
25V314	SS,BN,BN,PT
25V315	PP,BN,BN,PT
25V316	SS,GE,GE,PT
25V317	SS,PT,PO,PT
25V318	SS,SD,SP,PT
25V319	SS,SD,PO,PT
25V320	SS,AC,PS,PT
25V321	PP,SP,SP,PT
25V322	SP,TP,TP,PT

<b>i120</b>	
<b>Part</b>	<b>Seat, Check, Diaphragm, Seals</b>
25V372	PP,BN,BN,PT
25V373	SS,BN,BN,PT
25V374	SS,FK,FK,PT
25V375	SS,CW,PO,PT
25V376	SS,CW,PS,PT

## **i120 (QTE)**

<b>i120</b>	
<b>Part</b>	<b>Seat, Check, Diaphragm, Seals</b>
25V352	TP,AC,TP,--
25V353	SP,SP,SP,PT
25V354	GE,GE,GE,PT
25V355	SS,PT,PS,PT
25V356	BN,BN,BN,--
25V357	PP,PT,PS,PT
25V358	SS,SP,SP,PT
25V359	SS,AC,PS,PT
25V360	SP,PT,SP,PT
25V361	TP,TP,TP,--
25V362	SS,SD,PS,PT
25V363	FK,FK,FK,--
25V366	SS,GE,GE,PT
25V367	GE,GE,SP,PT
25V368	SS,PT,PO,PT
25V369	SA,SD,PS,PT
25V371	SA,PT,PS,PT

# Graco Standard Warranty

Graco warrants all equipment referenced in this document which is manufactured by Graco and bearing its name to be free from defects in material and workmanship on the date of sale to the original purchaser for use. With the exception of any special, extended, or limited warranty published by Graco, Graco will, for a period of twelve months from the date of sale, repair or replace any part of the equipment determined by Graco to be defective. This warranty applies only when the equipment is installed, operated and maintained in accordance with Graco's written recommendations.

This warranty does not cover, and Graco shall not be liable for general wear and tear, or any malfunction, damage or wear caused by faulty installation, misapplication, abrasion, corrosion, inadequate or improper maintenance, negligence, accident, tampering, or substitution of non-Graco component parts. Nor shall Graco be liable for malfunction, damage or wear caused by the incompatibility of Graco equipment with structures, accessories, equipment or materials not supplied by Graco, or the improper design, manufacture, installation, operation or maintenance of structures, accessories, equipment or materials not supplied by Graco.

This warranty is conditioned upon the prepaid return of the equipment claimed to be defective to an authorized Graco distributor for verification of the claimed defect. If the claimed defect is verified, Graco will repair or replace free of charge any defective parts. The equipment will be returned to the original purchaser transportation prepaid. If inspection of the equipment does not disclose any defect in material or workmanship, repairs will be made at a reasonable charge, which charges may include the costs of parts, labor, and transportation.

**THIS WARRANTY IS EXCLUSIVE, AND IS IN LIEU OF ANY OTHER WARRANTIES, EXPRESS OR IMPLIED, INCLUDING BUT NOT LIMITED TO WARRANTY OF MERCHANTABILITY OR WARRANTY OF FITNESS FOR A PARTICULAR PURPOSE.**

Graco's sole obligation and buyer's sole remedy for any breach of warranty shall be as set forth above. The buyer agrees that no other remedy (including, but not limited to, incidental or consequential damages for lost profits, lost sales, injury to person or property, or any other incidental or consequential loss) shall be available. Any action for breach of warranty must be brought within two (2) years of the date of sale.

**GRACO MAKES NO WARRANTY, AND DISCLAIMS ALL IMPLIED WARRANTIES OF MERCHANTABILITY AND FITNESS FOR A PARTICULAR PURPOSE, IN CONNECTION WITH ACCESSORIES, EQUIPMENT, MATERIALS OR COMPONENTS SOLD BUT NOT MANUFACTURED BY GRACO.** These items sold, but not manufactured by Graco (such as electric motors, switches, hose, etc.), are subject to the warranty, if any, of their manufacturer. Graco will provide purchaser with reasonable assistance in making any claim for breach of these warranties.

In no event will Graco be liable for indirect, incidental, special or consequential damages resulting from Graco supplying equipment hereunder, or the furnishing, performance, or use of any products or other goods sold hereto, whether due to a breach of contract, breach of warranty, the negligence of Graco, or otherwise.

## FOR GRACO CANADA CUSTOMERS

The Parties acknowledge that they have required that the present document, as well as all documents, notices and legal proceedings entered into, given or instituted pursuant hereto or relating directly or indirectly hereto, be drawn up in English. Les parties reconnaissent avoir convenu que la rédaction du présente document sera en Anglais, ainsi que tous documents, avis et procédures judiciaires exécutés, donnés ou intentés, à la suite de ou en rapport, directement ou indirectement, avec les procédures concernées.

## Graco Information

For the latest information about Graco products, visit [www.graco.com](http://www.graco.com).

For patent information, see [www.graco.com/patents](http://www.graco.com/patents).

**TO PLACE AN ORDER**, contact your Graco distributor or call to identify the nearest distributor.

**Phone:** 612-623-6921 **or Toll Free:** 1-800-328-0211, **Fax:** 612-378-3505

*All written and visual data contained in this document reflects the latest product information available at the time of publication. Graco reserves the right to make changes at any time without notice.*

Original instructions. This manual contains English. MM 3A8946

**Graco Headquarters:** Minneapolis

**International Offices:** Belgium, China, Japan, Korea

**GRACO INC. AND SUBSIDIARIES • P.O. BOX 1441 • MINNEAPOLIS MN 55440-1441 • USA**  
**Copyright 2022, Graco Inc. All Graco manufacturing locations are registered to ISO 9001.**

[www.graco.com](http://www.graco.com)  
Revision B, January 2023